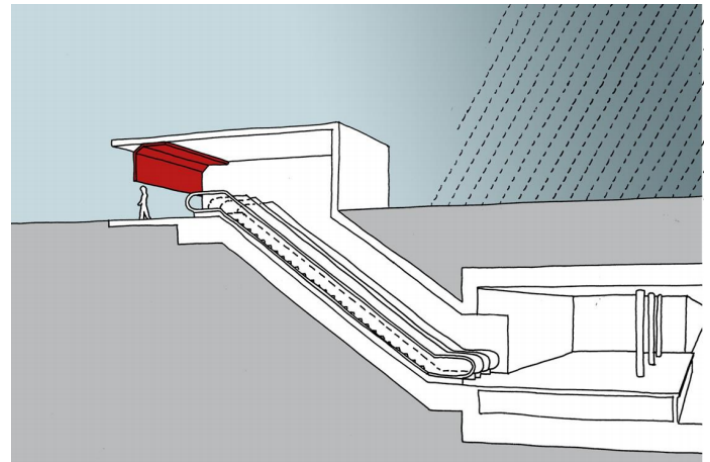


Commissioned by the Dutch Minister of Infrastructure and Environment, Dutchdam designed a fully automatic flood door. We proudly announce: the world's strongest / lightest dutch-flood-door for instant, remote control flood defence

The most effective and competitively priced flood defence system providing instant protection from flooding for objects at or below ground level. This hi-tech, standby system requires no separate storage, no logistics, no labour and nothing needs to be install at foundation level. This offers major costs-savings and the elimination of risk. Easily blends in with different types of surroundings. The 'invisible' flood door can be put in place from



above as an overhead door, or lowered from a box located at window or door height, depending on the available space. The use of super fibre makes the door extremely strong, light and durable and has a lifespan of over 25 years. The door is also maintenance free.

“2 meter heighth, automatic flood defence from a ‘roll-in, roll-out’ box, or overhead door”

This “dutch-flood-door” can be used every day or only intermittently and can withstand a 2 metre water column without supports at a width of 3.5 m1. Custom size on request.

